

MARKING GUIDELINES

EXAMINATION	NATIONAL SENIOR CERTIFICATE
DATE	2025
SUBJECT	ENGINEERING GRAPHICS AND DESIGN
PAPER	1
MARKS	100
TIME	3 Hours
NUMBER OF PAGES	8



SOUTH AFRICAN COMPREHENSIVE ASSESSMENT INSTITUTE
 SUID-AFRIKAANSE KOMPREENSIEWE ASSESSERINGSINSTITUUT

FINAL APPROVED MARKING GUIDELINES

DATE OF MEETING	
UMALUSI MODERATOR	
CHIEF MARKER	
INTERNAL MODERATOR	

ANSWERS		
1	MONDI	1
2	JESSE STAEDTLER	1
3	15/01/2025	1
4	PRETORIA-EAST	1
5	CONCRETE	1
6	4	1
7	STORMWATER-DRAIN	1
8	400	1
9	DECIDUOUS TREE	1
10	DASHED LINE	1
11	STORMWATER PIPE	1
12	ADJACENT BUILDING	1
13	WATER METER	1
14	TO COMMUNICATE REQUIREMENTS	2
15	31,5 - 3 (FORMULA✓) = 28,5✓ (IN METRES✓)	3
16	SOUTH-WEST/ SW	2
17	<i>SEE ANSWER 17, 18 & 19 BELOW.</i>	3
18		3
19		4
TOTAL:		30

ANSWER 17

$$16,5 + 11 + 5 + 6,5 + 7 + 6,5 + 4 \\ + 12 + 12 + 9,5 + \\ 10(\text{FORMULA}\checkmark) \\ = 100\checkmark (\text{IN METRES}\checkmark)$$

ANSWER 18

$$(31,5 \times 36,45) + (12 \times 13,55) \\ + \frac{1}{2}(12 \times 22,9)(\text{FORMULA}\checkmark) \\ = 1448,175\checkmark \text{ m}^2\checkmark$$

ANSWER 19

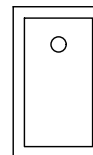
(a)



VERTICAL LINE 0.5
HORIZONTAL LINES 0.5

BOTH FREEHAND 0.5

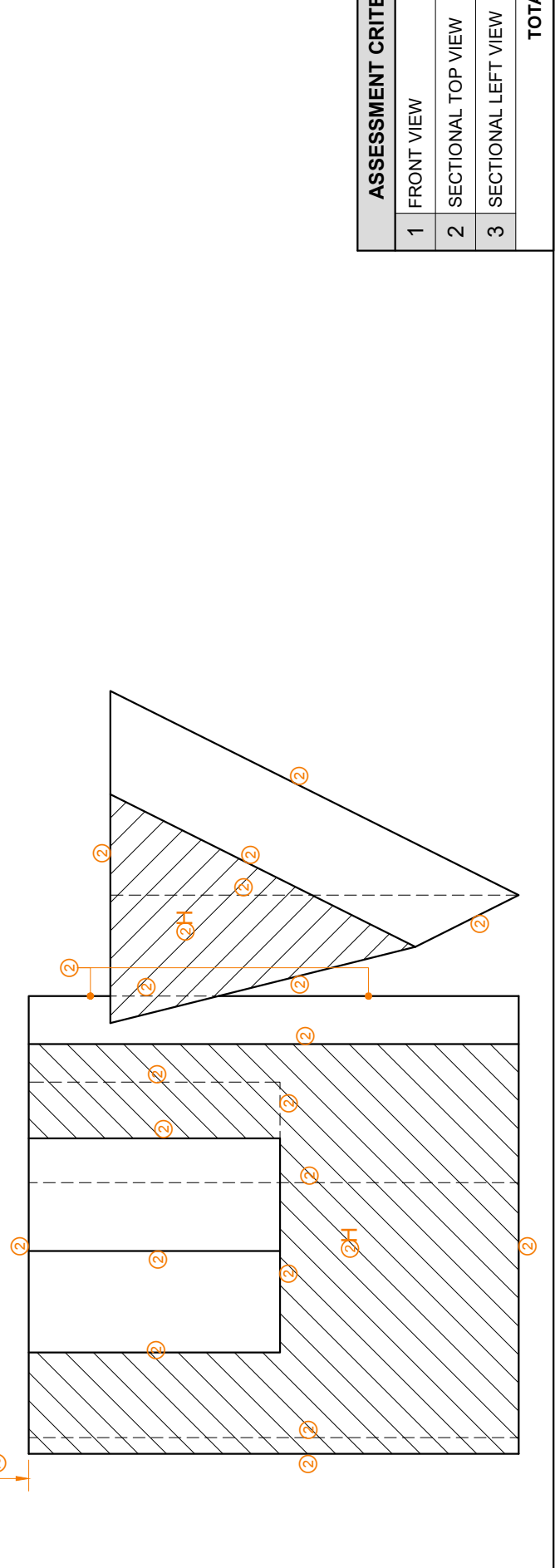
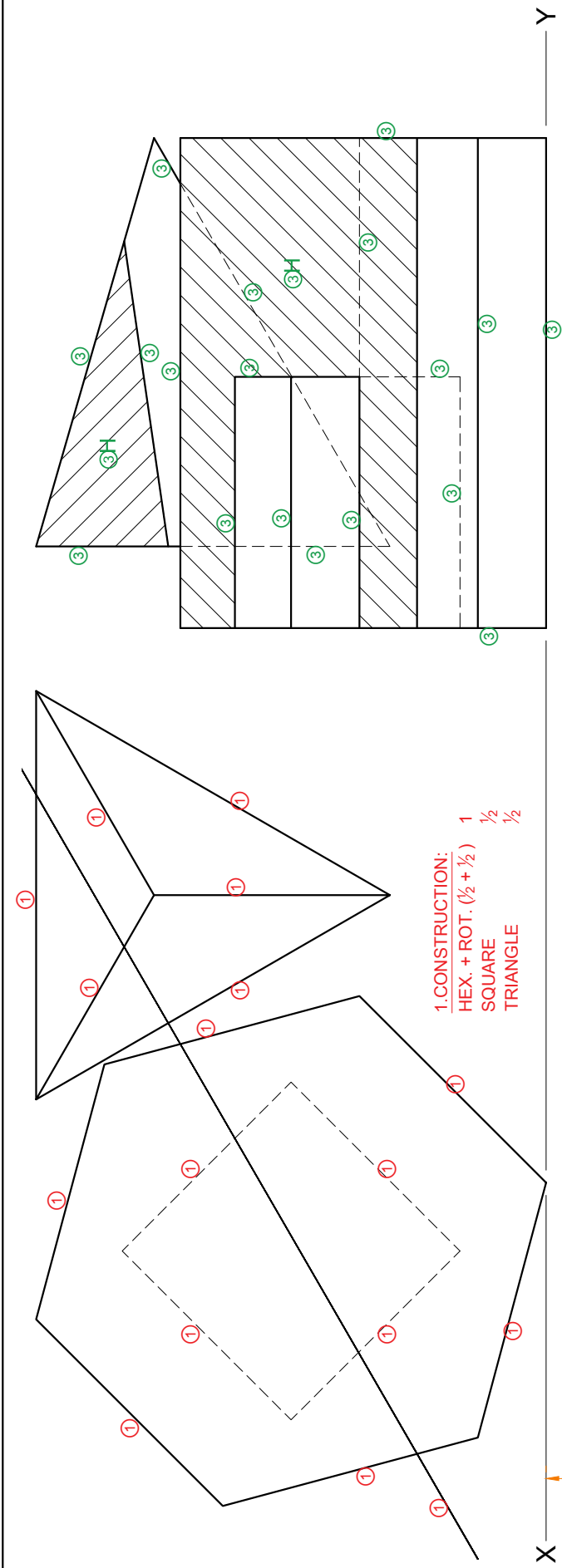
(b)



LARGE RECTANGLE 1
SMALL RECTANGLE 1
CIRCLE 0.5

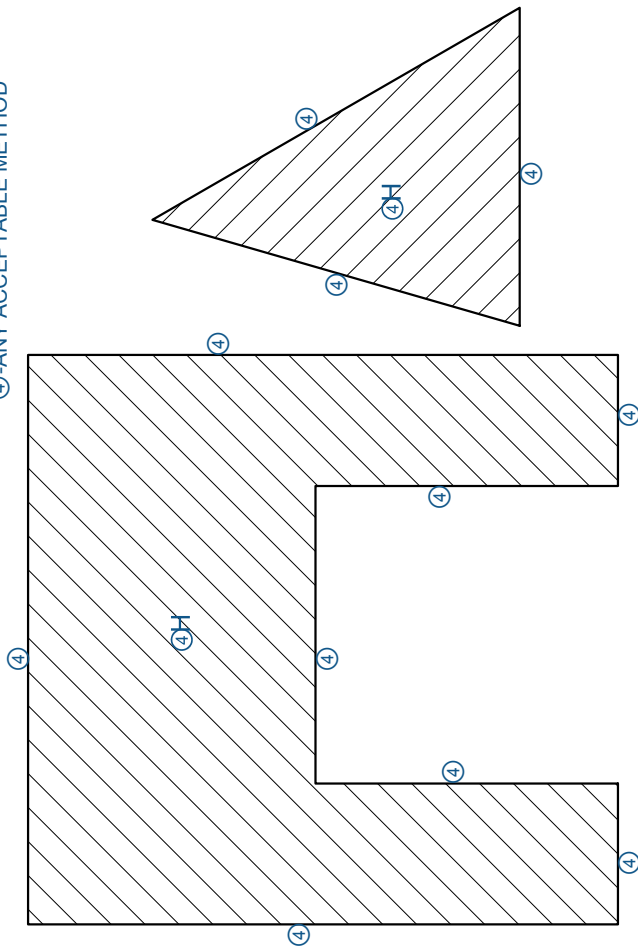
PAPER 1 QUESTION 2
SACAI NSC EXAM
MARKING GUIDELINES

ASSESSMENT CRITERIA		10 ½
1	FRONT VIEW	10 ½
2	SECTIONAL TOP VIEW	11 ½
3	SECTIONAL LEFT VIEW	10
TOTAL:		32

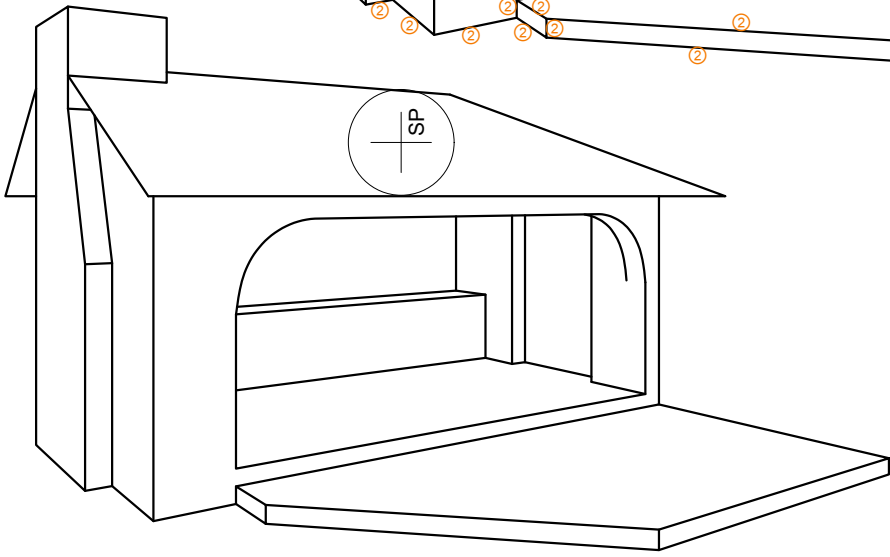
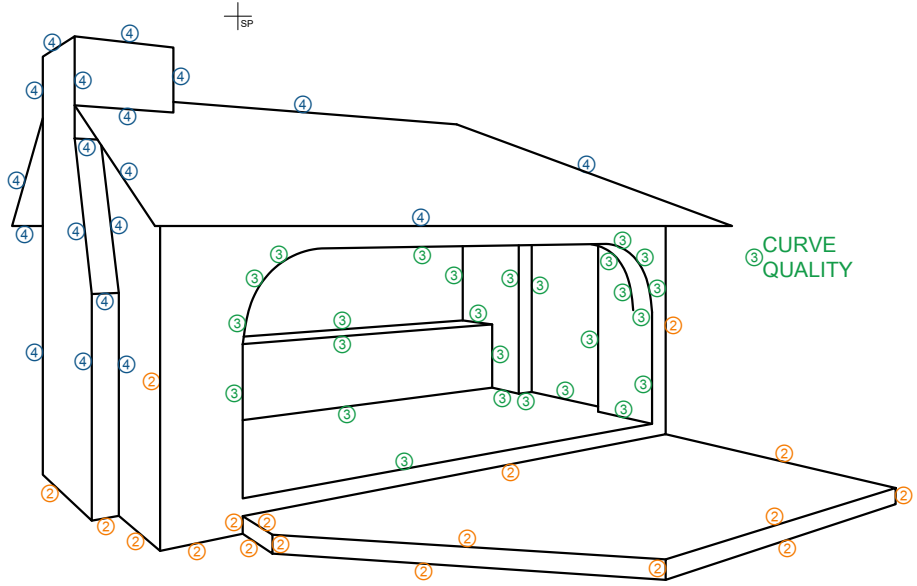
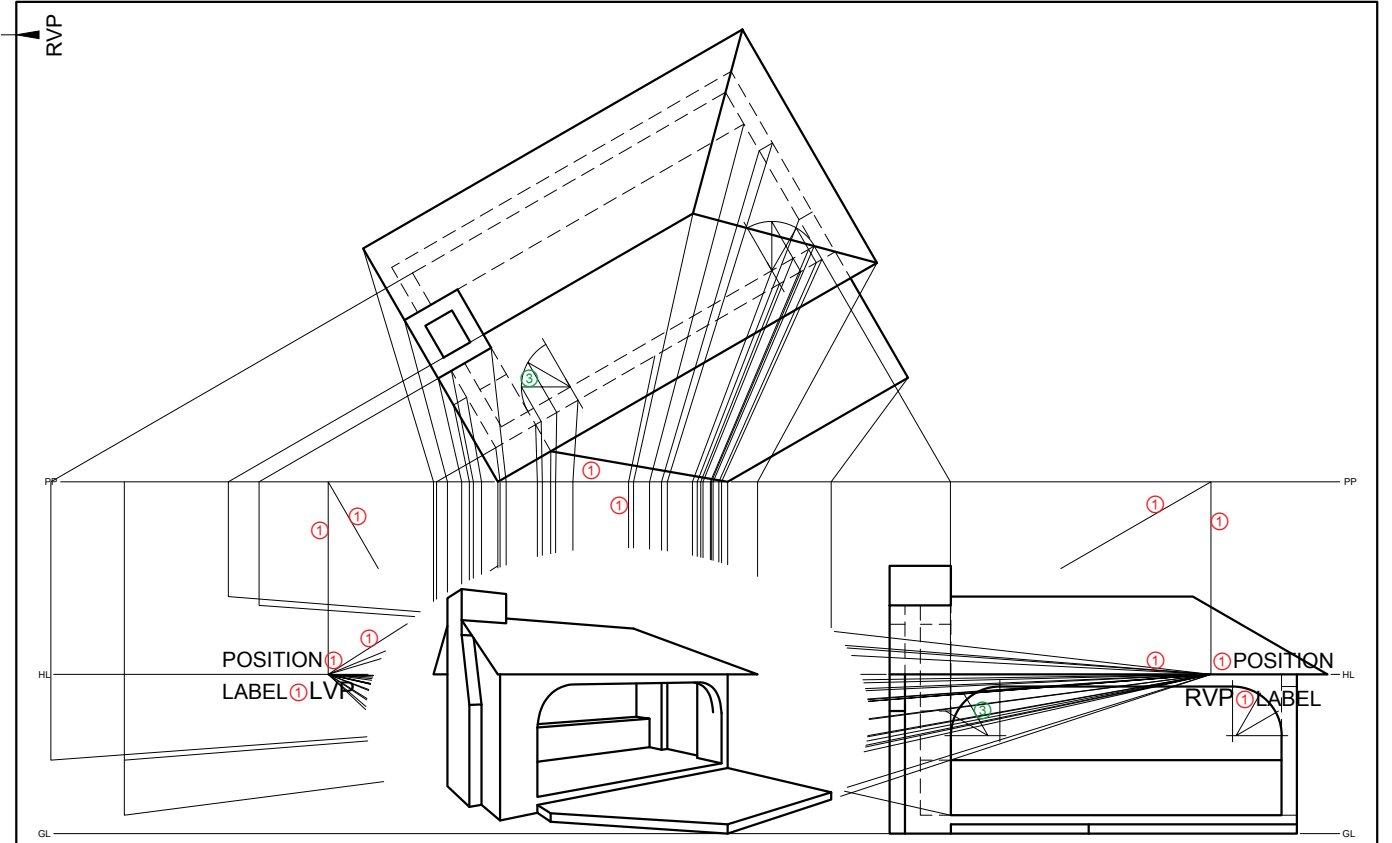


PAPER 1 QUESTION 2
 SACAI NSC EXAM
 MARKING GUIDELINES

④ - ANY ACCEPTABLE METHOD



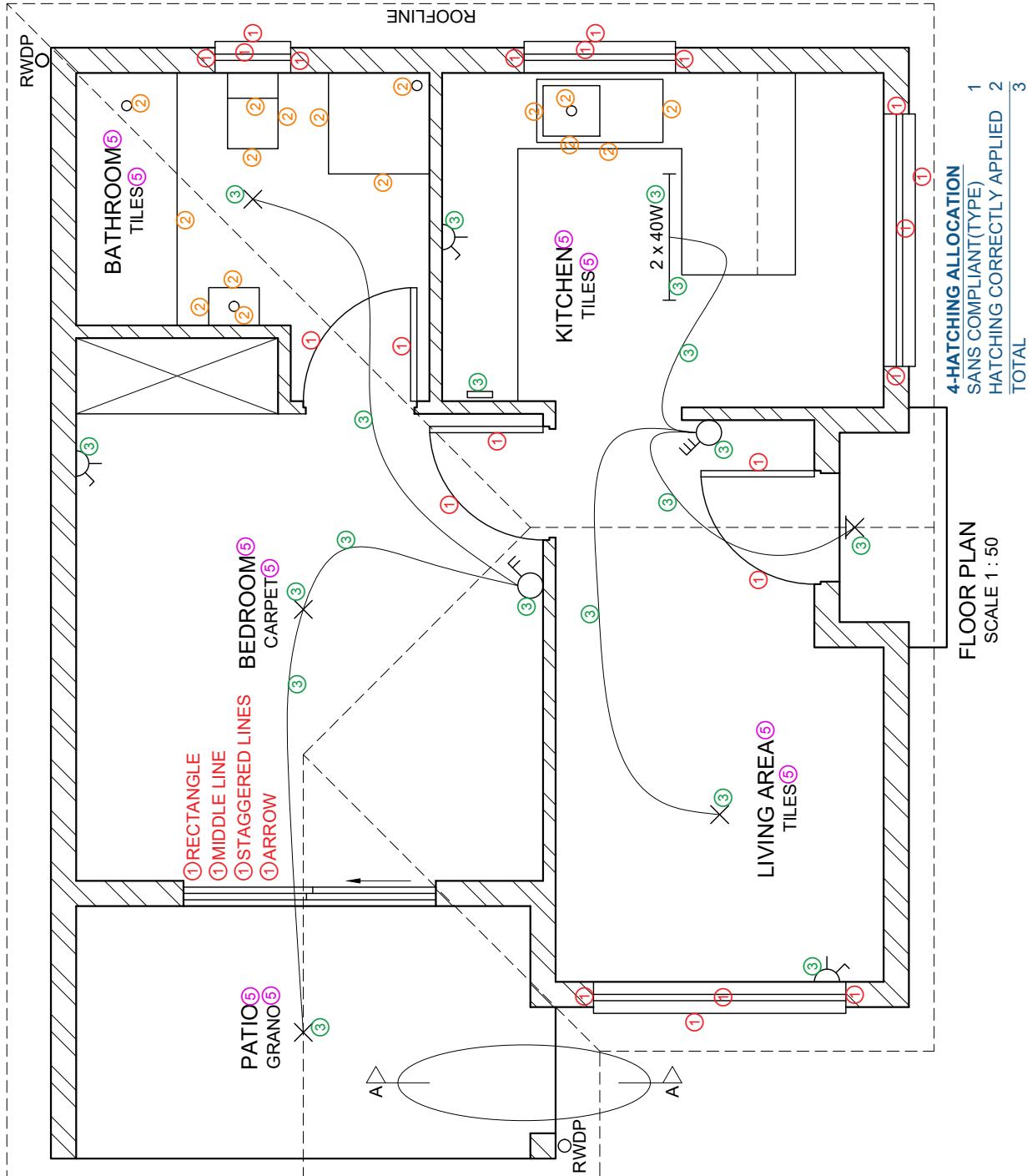
ASSESSMENT CRITERIA	
4	TRUE SHAPE
TOTAL: 7	



PAPER 1 QUESTION 3
SACAI NSC EXAM
MARKING GUIDELINES

ASSESSMENT CRITERIA		
1	CONSTRUCTION & VP'S	6
2	FLOOR + WALLS	9
3	FRONT + SIDE OPENING + INTERIOR DETAIL	14 $\frac{1}{2}$
4	CHIMNEY + ROOF	9 $\frac{1}{2}$
TOTAL:		39

PAPER 1 QUESTION 4.1.1
SACAI NSC EXAM
MARKING GUIDELINES



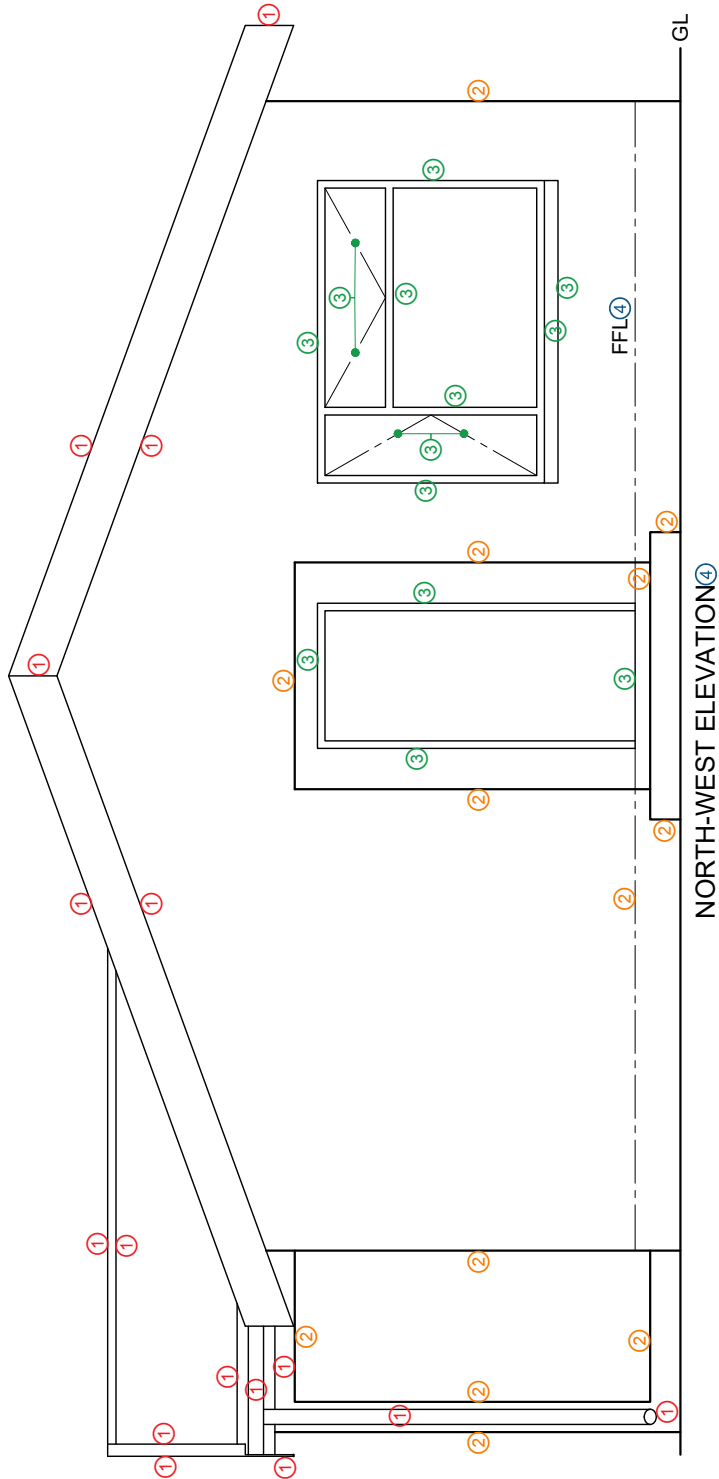
4-HATCHING ALLOCATION

SANS COMPLIANT(TYPE)	1
HATCHING CORRECTLY APPLIED	2
TOTAL	3

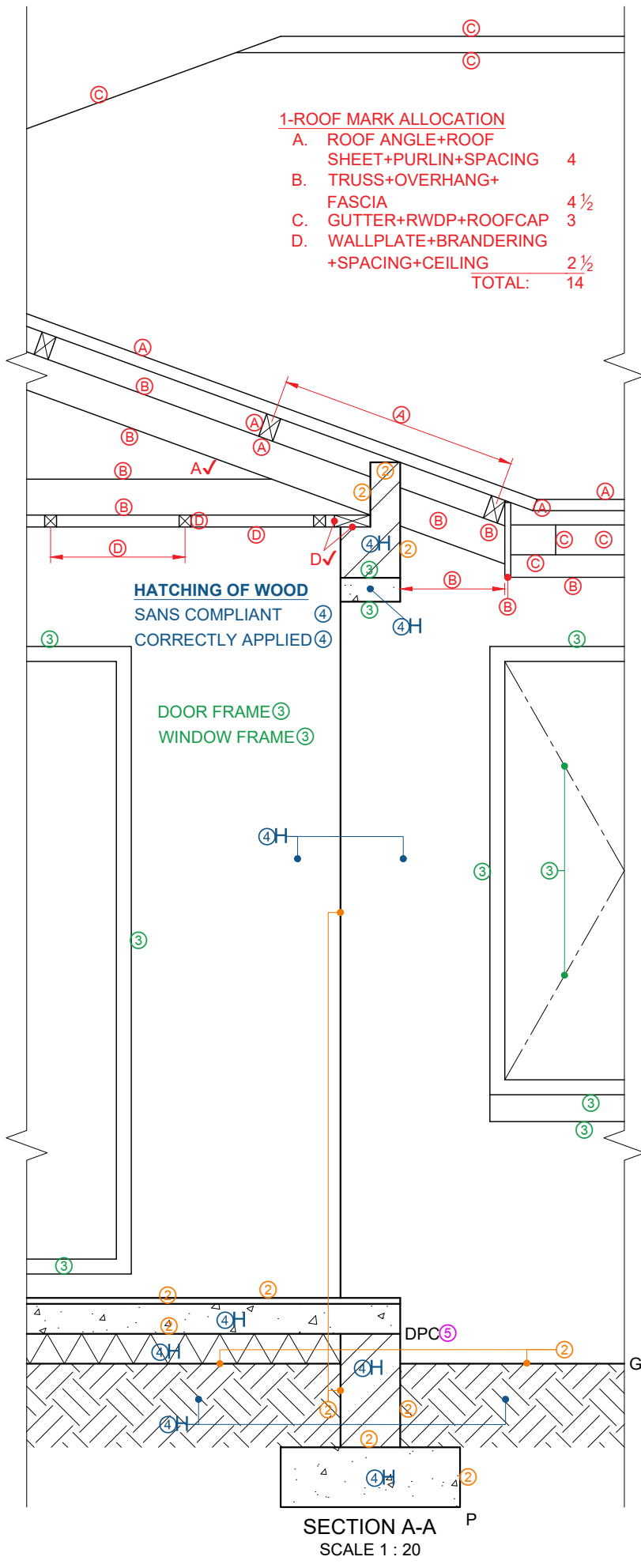
FLOOR PLAN
SCALE 1 : 50

ASSESSMENT CRITERIA	
FLOOR PLAN	
1	WINDOWS + DOORS 13
2	FIXTURES 8
3	ELECTRICAL 9 1/2
4	HATCHING 3
5	LABELS 5
SUBTOTAL: 38 1/2	

PAPER 1 QUESTION 4.1.2
SACAI NSC EXAM
MARKING GUIDELINES



ASSESSMENT CRITERIA		
NORTH-WEST ELEVATION		
1	ROOF + FASCIA + GUTTER + BARGE BOARDS + RWDP	8
2	WALLS + FFL	6 ½
3	DOOR + WINDOW	6 ½
4	LABELS	1
SUBTOTAL:		22



PAPER 1 QUESTION 4.2
SACAI NSC EXAM
MARKING GUIDELINES

ASSESSMENT CRITERIA		
DETAILED SECTION		
1	ROOF DETAIL	14
2	WALL + SLAB	5 ½
3	SLIDING DOOR + LINTEL	6
4	HATCHING	5
5	LABELS	1
SUBTOTAL:		31 ½