



SOUTH AFRICAN COMPREHENSIVE ASSESSMENT INSTITUTE
SUID-AFRIKAANSE KOMPREENSIEWE ASSESSERINGSINSTITUUT

**Adult Basic Education and Training (ABET)
Site-Based Assessment
Portfolio of Evidence**

Natural Sciences: NQF Level 1
Total: 40 marks
Duration: 4 Hours
Task 2: Assignment

Learner Information

Name : _____
Surname : _____
**Identity/
Passport Number** : _____
Employee Number : _____
Company : _____
Centre : _____
Date : _____

Declaration

I declare that this portfolio of evidence is my own work: _____

Signature



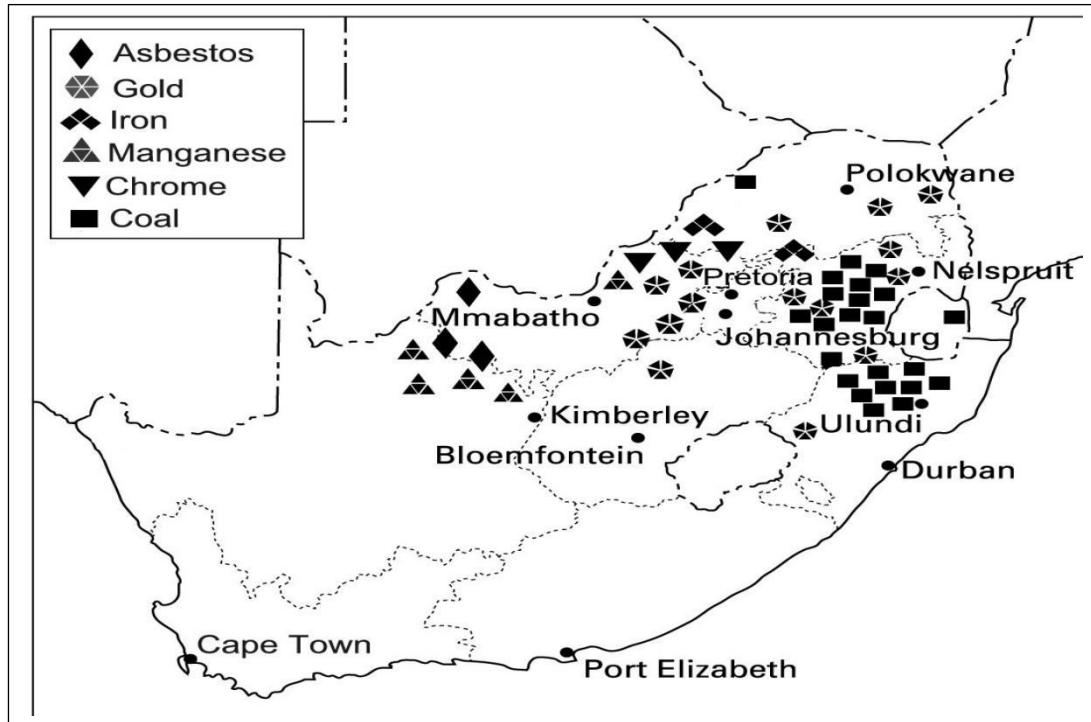
INSTRUCTIONS

1. This Assignment consists of **FOUR QUESTIONS**.
2. Complete **ALL** the **QUESTIONS**.
3. Answer all the questions in the spaces provided.
4. Adhere to the numbering used in this Assignment.



Question 1

Study the map and answer the questions.



Source: <https://studyx.ai/questions/4li0ouz/the-image-contains-a-map-of-south-africa-showing-the-locations-of-various-mineral>

1.1 Identify a mineral deposit that is mined the most in South Africa. (1)

1.2 Name the power station that uses the mineral deposit identified in Question 1.1 for the generation of electricity. (2)

1.3 How many different mineral deposits are identified on the map? (1)

- 1.4 Explain the effect of being constantly exposed to asbestos has on human health. (2)

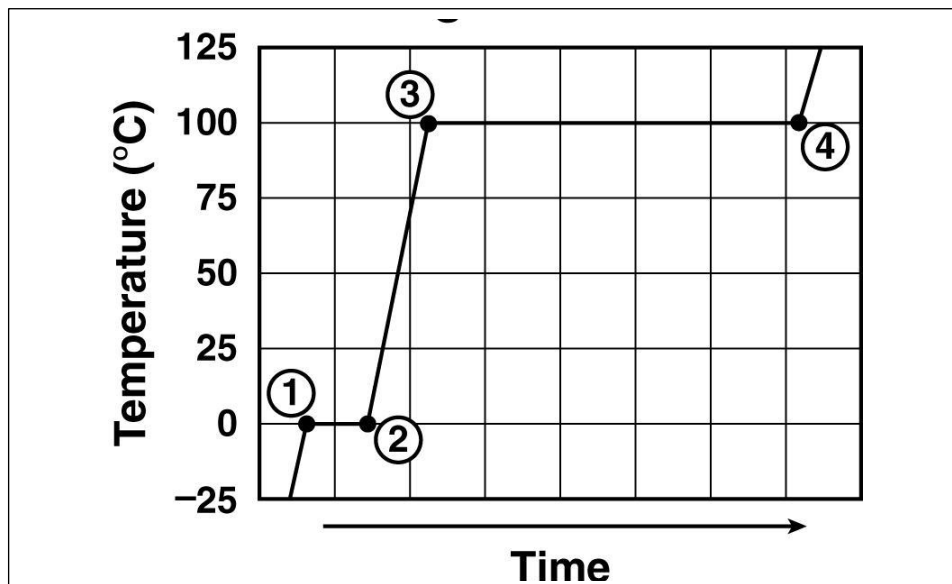
- 1.5 List TWO careers found in the mining industry. (2)

Total for Question 1

[08]

Question 2

- 2.1 Study the graph and answer the questions.



Source: <https://shorturl.at/fwyqy>

- 2.1.1 What is the possible name of the graph? (1)

2.1.2 What is the freezing point of water? (1)

2.1.3 At which two points is ice changing to liquid? (2)

2.1.4 Draw a possible conclusion of what happens to water when the temperature has increased above 100°C. (2)

2.2 List THREE products that can be manufactured from recycled rubber. (3)

Total marks for Question 2

[09]



Question 3

3.1 Complete the table about the human reproduction system.

	Structure	Function	
3.1.1	Testis		(2)
3.1.2		Transfers the sperm from the testis to the penis	(1)
3.1.3	Urethra		(2)
3.1.4		Produces eggs	(1)
3.1.5	Uterus		(2)

3.2 Classify the following fields of study as Natural or Non-natural.

3.2.1 Astronomy _____ (1)

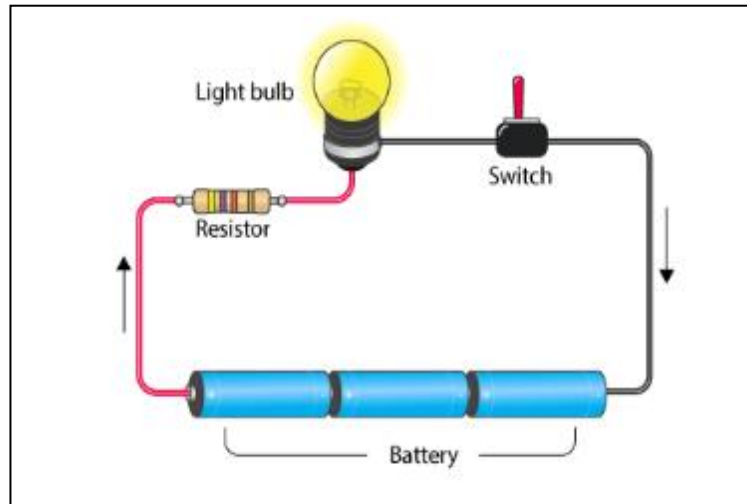
3.2.2 Astrology _____ (1)

Total for Question 3

[10]

Question 4

Study the diagram and answer the questions.



Source: <https://shorturl.at/EWRMF>

- 4.1 Does the diagram above represent a series or parallel circuit? (1)

- 4.2 Explain your answer in Question 4.1. (2)

- 4.3 The circuit is complete. Provide a reason why this is so. (2)

4.4 Draw symbols representing the following electrical components.

4.4.1 Resistor: (1)

4.4.2 Cell (1)

4.4.3 Closed switch (1)

4.4.4 Light bulb (1)

4.5 If the switch is closed, how much current will flow in the circuit if the potential difference is 1.5 volts and the bulb's resistance is 0.5 ohms. (4)

Use the formula:

$$I = \frac{V}{R}$$

Total for Question 4 [13]

GRAND TOTAL FOR TASK 2 [40]



Total for Task 2: 40 Marks

Task	Activity	Maximum Mark	Learner's Mark	Moderated Mark
Task 2	Question 1	08		
	Question 2	09		
	Question 3	10		
	Question 4	13		
	Total: Task 2	40		

